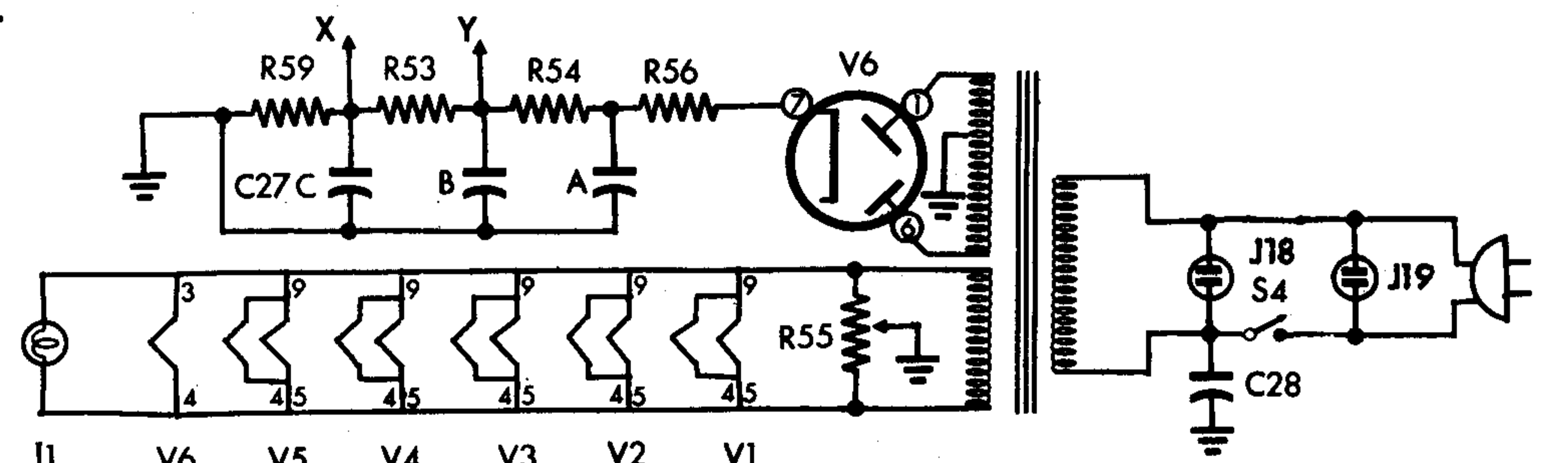


Sym.	Description	Sym.	Description	Sym.	Description	Sym.	Description	Sym.	Description
C1	cap., paper, .25 mfd - 200V	C27	cap., elec., 20-40-40 mfd at 400-350-350V	J15	output, TAPE OUT - 1	R20	res., 68KΩ, 1/2W, ±10%	R46	pot., 500KΩ, linear
C2	cap., paper, .25 mfd - 200V	C28	cap., molded, .03 mfd - 600V	J16	output, PREAMP - 2	R21	res., 2.2MΩ, 1/2W, ±10%	R47	res., 470KΩ, 1/2W, ±10%
C3	cap., elec., 10 mfd - 6V	C29	cap., disc., .02 mfd, ±20%	J17	output, PREAMP - 1	R22	res., 2.2MΩ, 1/2W, ±10%	R48	res., 470KΩ, 1/2W, ±10%
C4	cap., elec., 10 mfd - 6V	C30	cap., disc., .02 mfd, ±20%	J18	outlet, convenience	R23	res., 10KΩ, 1/2W, ±10%	R49	res., 100KΩ, 1/2W, ±5%
C5	cap., elec., 25 mfd - 6V	C31	cap., disc., .025 mfd, GMV	J19	outlet, convenience	R24	res., 10KΩ, 1/2W, ±10%	R50	res., 100KΩ, 1/2W, ±5%
C6	cap., elec., 25 mfd - 6V	C32	cap., disc., .025 mfd, GMV	PC1	printed circuit	R25	pot., 500KΩ and 50KΩ tap dual	R51	res., 1KΩ, 1/2W, ±10%
C7	cap., disc., .025 mfd, GMV	C33	cap., disc., 47 mmf, ±10%	PC2	printed circuit	R26	pot., 500KΩ and 50KΩ tap dual	R52	res., 1KΩ, 1/2W, ±10%
C8	cap., disc., .025 mfd, GMV	C34	cap., disc., 47 mmf, ±10%	R1	res., 1MΩ, 1/2W, ±10%	R27	res., 330KΩ, 1/2W, ±10%	R53	res., 68KΩ, 1/2W, ±10%
C9	cap., disc., 850 mmf, ±10%	C35	cap., paper, .25 mfd - 200V	R2	res., 1MΩ, 1/2W, ±10%	R28	res., 330KΩ, 1/2W, ±10%	R54	res., 10KΩ, 1W, ±10%
C10	cap., disc., .027 mfd - ±10%	C36	cap., paper, .25 mfd - 200V	R3	res., 10KΩ, 1/2W, ±10%	R29	res., 100KΩ, 1/2W, ±10%	R55	pot., 100Ω
C11	cap., disc., .0027 mfd - ±10%	J1	pilot lite	R4	res., 10KΩ, 1/2W, ±10%	R30	res., 100KΩ, 1/2W, ±10%	R56	res., 2.2KΩ, 1/2W, ±10%
C12	cap., disc., .0027 mfd, ±10%	J2	input, AUX A-1	R5	res., 200KΩ, 1/2W, ±5%	R31	res., 220KΩ, 1/2W, ±10%	R57	res., 6.8KΩ, 1/2W, ±10%
C13	cap., disc., 600 mmf, ±10%	J3	input, AUX B-1	R6	res., 200KΩ, 1/2W, ±5%	R32	res., 220KΩ, 1/2W, ±10%	R58	res., 6.8KΩ, 1/2W, ±10%
C14	cap., disc., 600 mmf, ±10%	J4	input, AM	R7	res., 2.2KΩ, 1/2W, ±10%	R33	res., 100KΩ, 1/2W, ±10%	R59	res., 220KΩ, 1/2W, ±10%
C15	cap., disc., .025 mfd, GMV	J5	input, FM	R8	res., 2.2KΩ, 1/2W, ±10%	R34	res., 100KΩ, 1/2W, ±10%	S1	switch, input selector
C16	cap., disc., .025 mfd, GMV	J6	input, AUX A-2	R9	res., 1MΩ, 1/2W, ±10%	R35	res., 2.2KΩ, 1/2W, ±10%	S2	switch, mode
C17	cap., disc., .012 mfd, ±10%	J7	input, AUX B-2	R10	res., 1MΩ, 1/2W, ±10%	R36	res., 2.2KΩ, 1/2W, ±10%	S3	switch, slide, DPDT
C18	cap., disc., .0012 mfd, ±10%	J8	input, MULTI	R11	res., 200KΩ, 1/2W, ±5%	R37	res., 33KΩ, 1/2W, ±10%	S4	switch, slide, SPST
C19	cap., disc., .025 mfd, GMV	J9	input, MIC - 1	R12	res., 200KΩ, 1/2W, ±5%	R38	res., 33KΩ, 1/2W, ±10%	S5	switch, slide, DPDT
C20	cap., disc., .025 mfd, GMV	J10	input, MAG. PHONO - 1	R13	res., 4.7KΩ, 1/2W, ±10%	R39	res., 470KΩ, 1/2W, ±10%	T1	transformer, power
C21	cap., molded, .1 mfd - 400V	J11	input, TAPE HEAD - 1	R14	res., 4.7KΩ, 1/2W, ±10%	R40	res., 470KΩ, 1/2W, ±10%	V1	tube, 12AX7
C22	cap., molded, .1 mfd - 400V	J12	input, MIC - 2	R15	res., 90KΩ, 1/2W, ±5%	R41	res., 2.2KΩ, 1/2W, ±10%	V2	tube, 12AX7
C23	cap., disc., .015 mfd, ±20%	J13	input, MAG. PHONO - 2	R16	res., 90KΩ, 1/2W, ±5%	R42	res., 2.2KΩ, 1/2W, ±10%	V3	tube, 12AX7
C24	cap., disc., .015 mfd, ±20%	J14	input, TAPE HEAD - 2	R17	res., 100KΩ, 1/2W, ±10%	R43	pot., 1MΩ, linear	V4	tube, 12AX7
C25	cap., molded, .1 mfd - 400V	J15	output, TAPE OUT - 1	R18	res., 100KΩ, 1/2W, ±10%	R44	pot., 1MΩ, linear	V5	tube, 12AX7
C26	cap., molded, .1 mfd - 400V	J16	output, TAPE OUT - 2	R19	res., 68KΩ, 1/2W, ±10%	R45	pot., 500KΩ, linear	V6	tube, 6X4



MODEL HF-85 STEREOPHONIC PREAMPLIFIER

